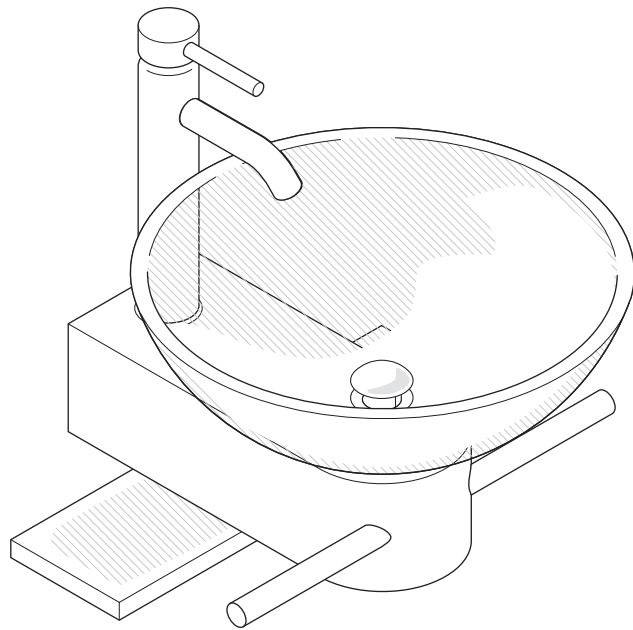




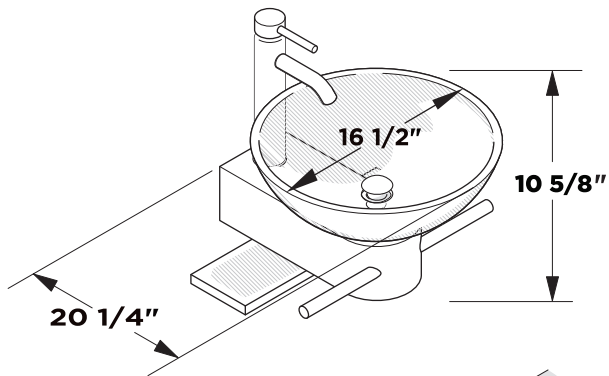
FVN1012
CRISTALLINO
INSTALLATION GUIDE



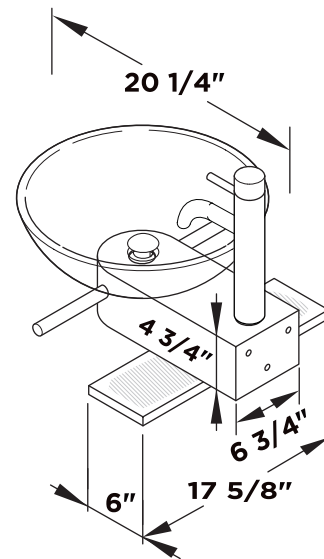
FRESCA®



Vanity Front



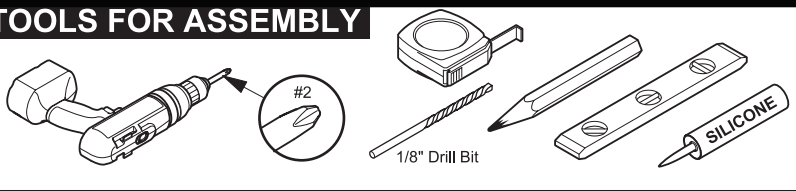
Vanity Back



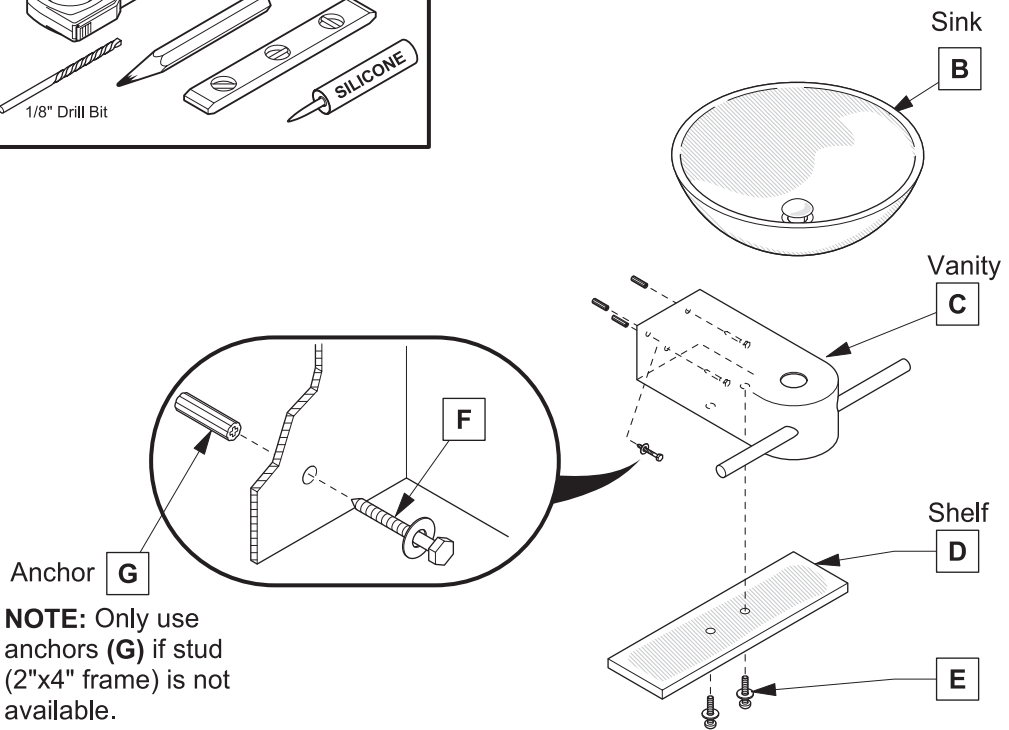
Note: All dimensions and specifications are approximate and subject to change without notice.



TOOLS FOR ASSEMBLY

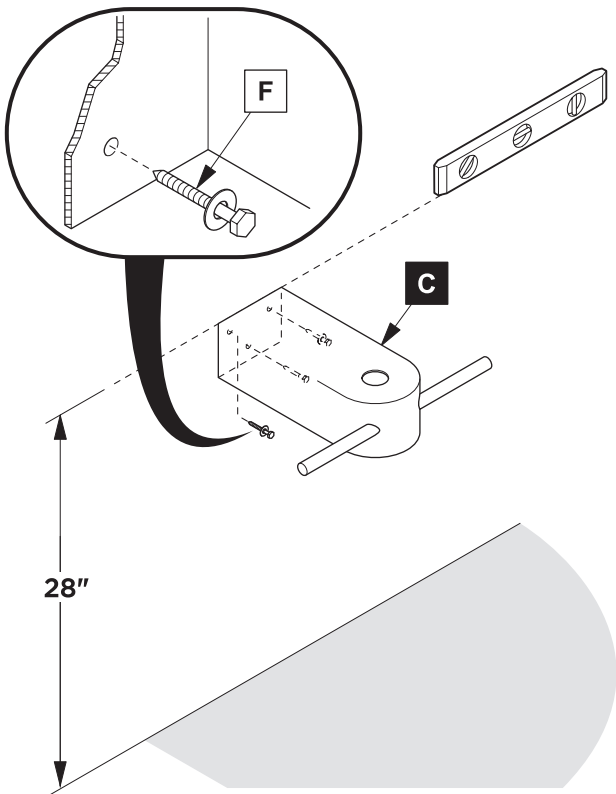


PARTS

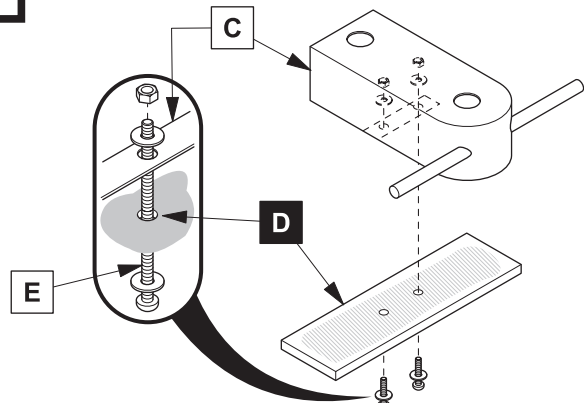


1 Install vanity (C)

IMPORTANT: Consult an expert for the proper screws/bolts to use when attaching to various wall constructions. Screws provided **do not** attach to all wall construction types.

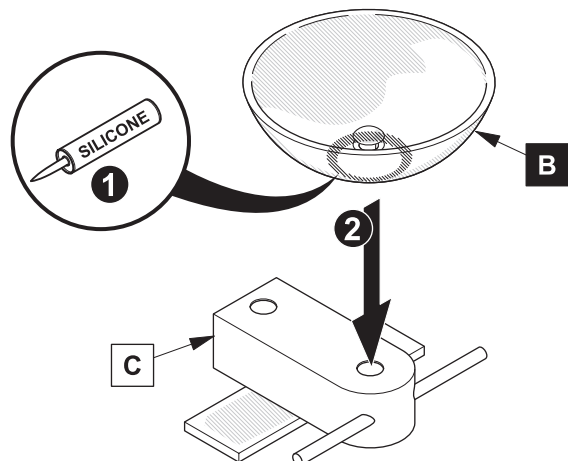


3 Install shelf (D)



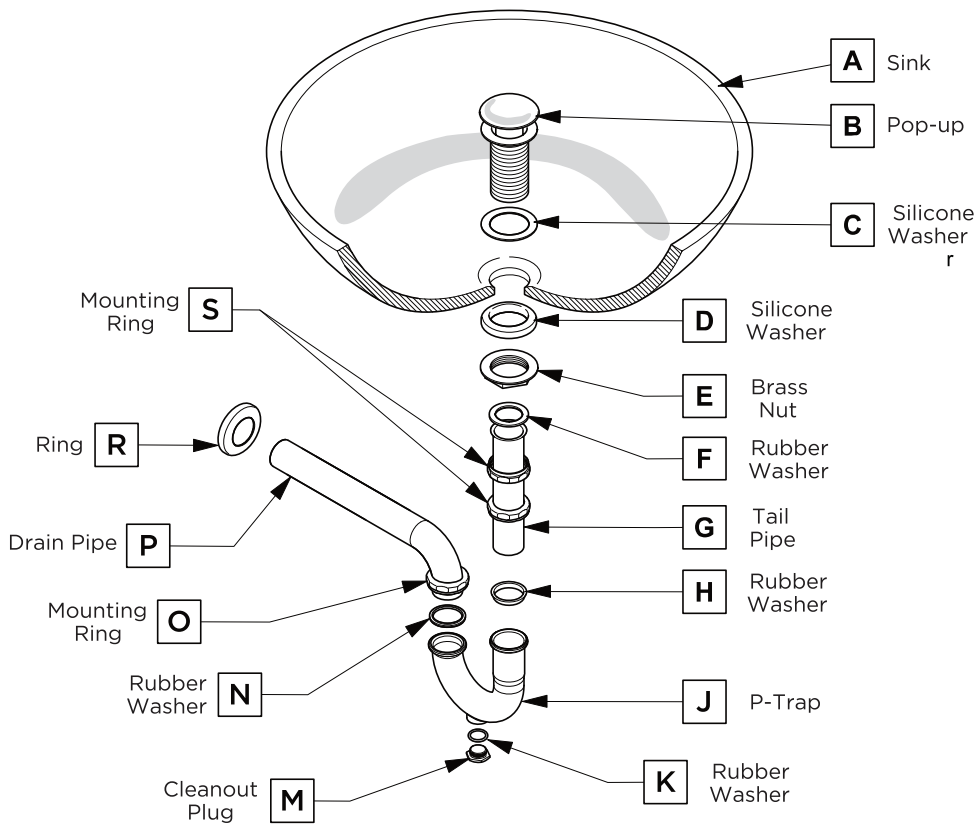
3 Install sink (B)

4 Install mirror (A)



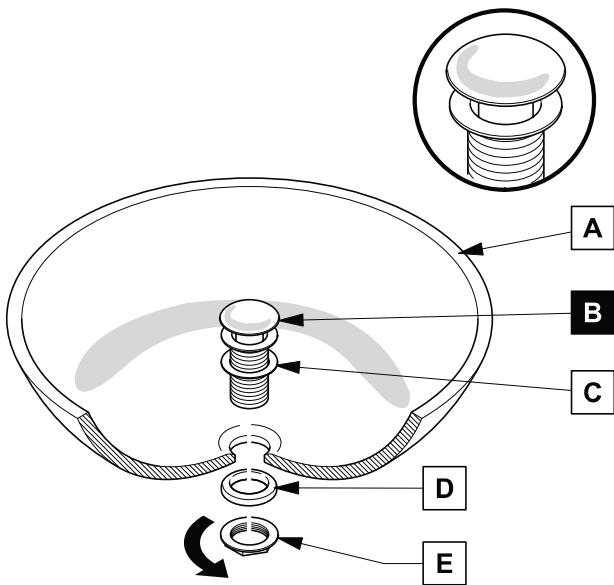
P-TRAP AND POP-UP INSTALLATION INSTRUCTIONS

Your item may appear slightly different from the illustration



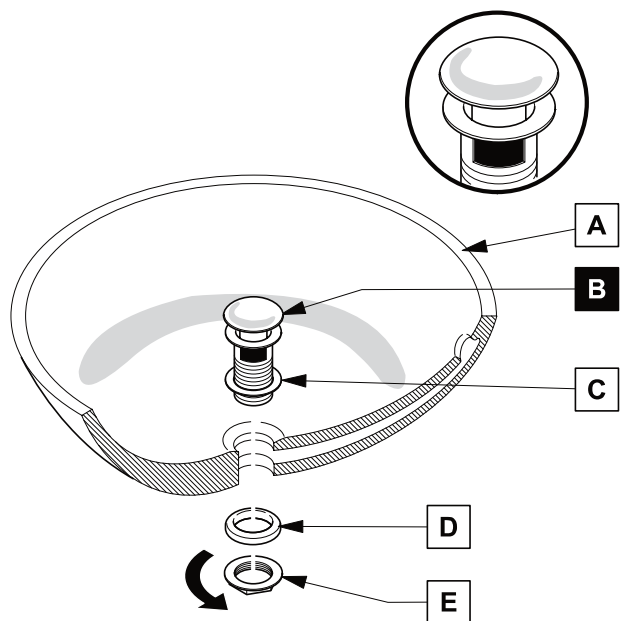
POP-UP INSTALLATION

FOR SINKS WITHOUT OVERFLOW



OR

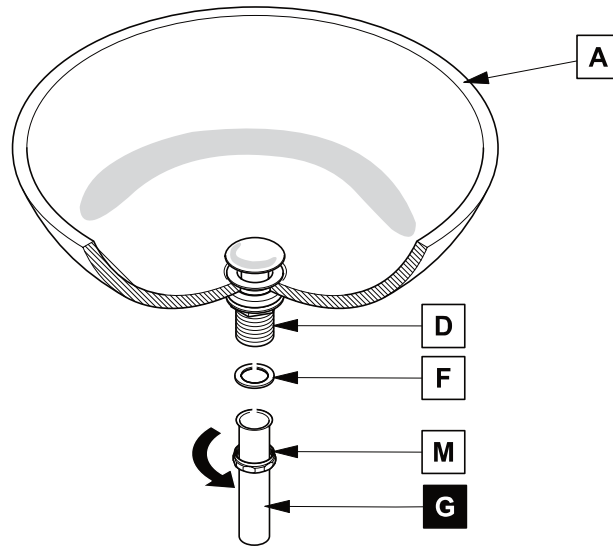
FOR SINKS WITH OVERFLOW



P-TRAP INSTALLATION

1

Install tail pipe (G)



2

Install p-trap (J)

